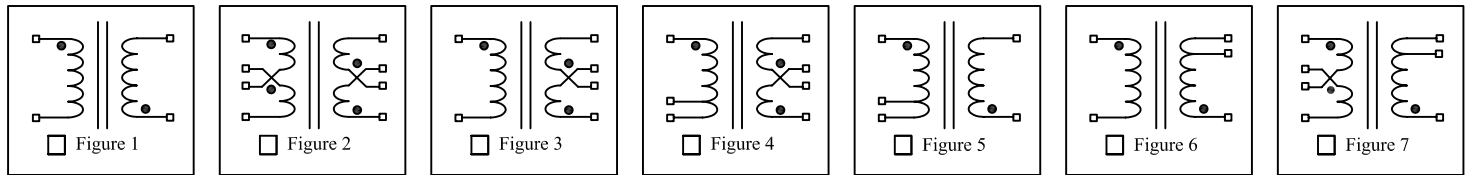


SÉRIES DO/DC/DL SERIES

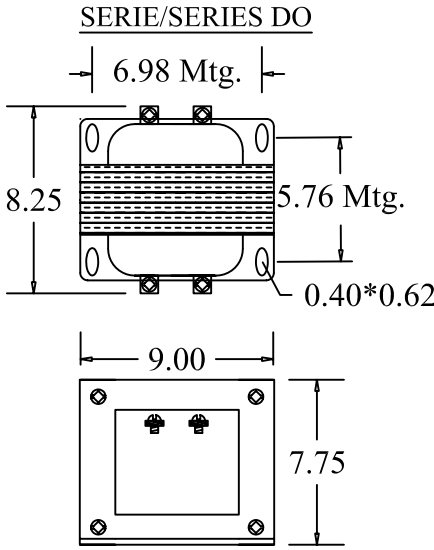
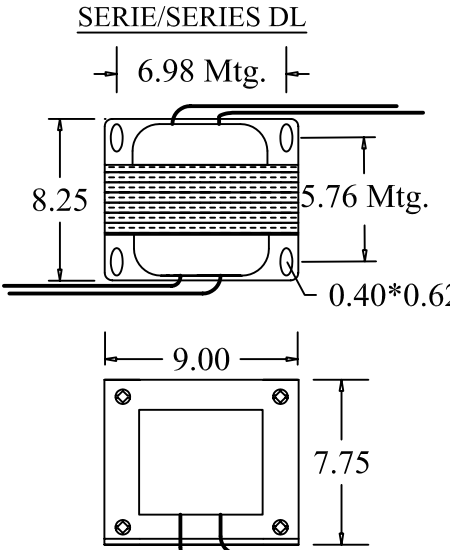
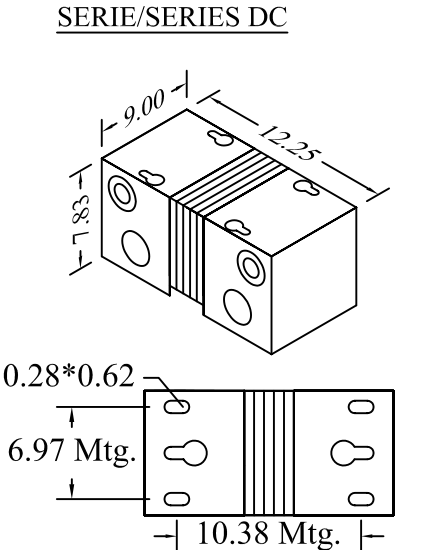
4000 VA, # DE PIÈCE / PART # : D _ 4000YZ

SPÉCIFICATIONS ÉLECTRIQUES / ELECTRICAL SPECIFICATIONS


PHASE: <input type="text" value="1"/>	TENSION / Y / PRIMARY PRIMAIRE VOLTAGE	TENSION / Z / SECONDARY SEC. VOLTAGE
FREQ.: <input type="text" value="50/60 Hz."/> <input type="text" value="*60 Hz."/>	<input type="checkbox"/> A = 12 <input type="checkbox"/> J = 347 <input type="checkbox"/> B = 24 <input type="checkbox"/> K = 380 <input type="checkbox"/> C = 12/24 <input type="checkbox"/> L = 347/380 <input type="checkbox"/> D = 16/32 <input type="checkbox"/> M = 416 <input type="checkbox"/> E = 120 <input type="checkbox"/> N = 208/416 <input type="checkbox"/> F = 208 <input type="checkbox"/> O = 480* <input type="checkbox"/> G = 240 <input type="checkbox"/> P = 240/480 <input type="checkbox"/> H = 120/240 <input type="checkbox"/> Q = 600* <input type="checkbox"/> I = 277 <input type="checkbox"/> S = _____ <input type="checkbox"/> U = 480/600*	<input type="checkbox"/> A = 12 <input type="checkbox"/> J = 347 <input type="checkbox"/> B = 24 <input type="checkbox"/> K = 380 <input type="checkbox"/> C = 12/24 <input type="checkbox"/> L = 347/380 <input type="checkbox"/> D = 16/32 <input type="checkbox"/> M = 416 <input type="checkbox"/> E = 120 <input type="checkbox"/> N = 208/416 <input type="checkbox"/> F = 208 <input type="checkbox"/> O = 480* <input type="checkbox"/> G = 240 <input type="checkbox"/> P = 240/480 <input type="checkbox"/> H = 120/240 <input type="checkbox"/> Q = 600* <input type="checkbox"/> I = 277 <input type="checkbox"/> S = _____ <input type="checkbox"/> U = 480/600*
CLASSE ISOL. INSUL. CLASS <input type="text" value="H(180°C)"/>		
ELEV. TEMP. TEMP. RISE <input type="text" value="< 120°C"/>		
NIV. DE BRUIT SOUND LEVEL <input type="text" value="< 40 dB."/>		



SPÉCIFICATIONS MÉCANIQUES / MECHANICAL SPECIFICATIONS: (dimensions = pouces/Inches).

<p>SERIE/SERIES DO</p>  <p>TYPE OUVERT/OPEN TYPE BORNE À VIS / SCREW LUG</p> <p>Poids / Weight : 35.5 Kg (78.4 lbs)</p>	<p>SERIE/SERIES DL</p>  <p>TYPE OUVERT/OPEN TYPE FILS DE SORTIE 10" LEAD WIRE LENGTH</p> <p>Poids / Weight : 35.5 Kg (78.4 lbs)</p>	<p>SERIE/SERIES DC</p>  <p>VUE DE DESSOUS / BOTTOM VIEW TYPE FERMÉ / CLOSED TYPE</p> <p>Poids / Weight : 38.7 Kg (85.2 lbs)</p>
---	--	---

Toutes les dimensions sont approximatives. Spécifications peuvent changer sans préavis.
All dimensions and weights are approximate. Specifications may change without notice.

						NUMÉRO DE MODÈLE: MODEL NUMBER: D _ 4000 _ _		
ZONE	REV	REVISION	DESCRIPTION	DATE	APPROVAL APPROB.	Dessiné par: Drawn by: SS	DWG NO. 71CUDO/DC/DL4000	REV 04
DATE: FEBRUARY/25/08								PAGE: 1 de 1