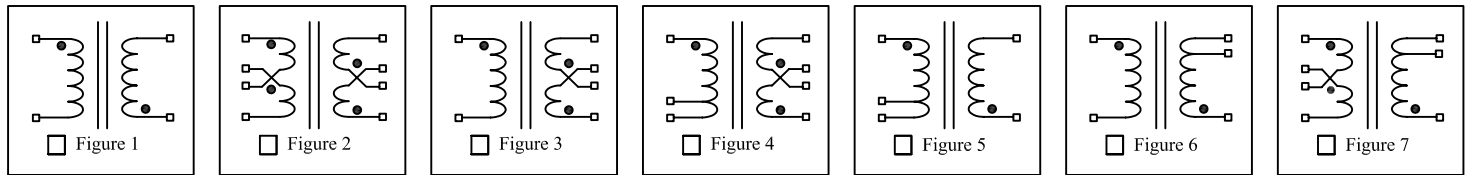


SÉRIES DO/DC/DL SERIES

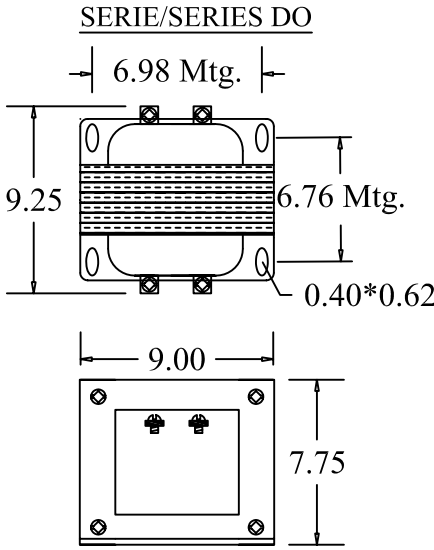
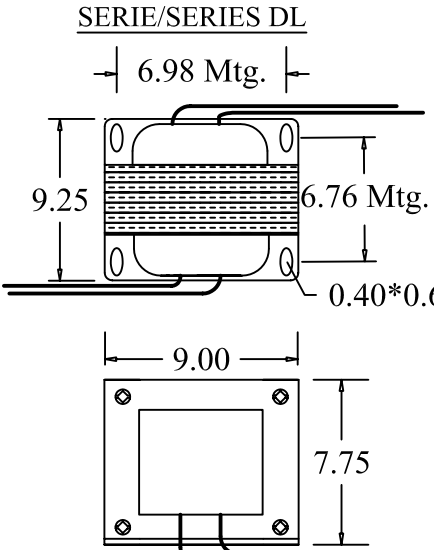
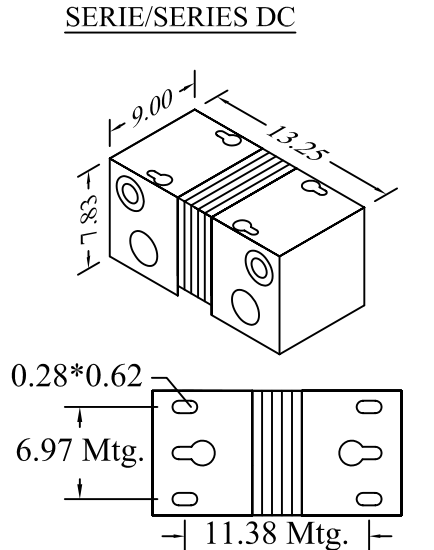
5000 VA, # DE PIÈCE / PART # : D _ 5000YZ

SPÉCIFICATIONS ÉLECTRIQUES / ELECTRICAL SPECIFICATIONS


PHASE:	<input type="text" value="1"/>	TENSION / Y / PRIMARY PRIMAIRE VOLTAGE	TENSION / Z / SECONDARY SEC. VOLTAGE
FREQ.:	<input type="text" value="50/60 Hz."/> <input type="text" value="*60 Hz."/>	<input type="checkbox"/> A = 12 <input type="checkbox"/> J = 347	<input type="checkbox"/> A = 12 <input type="checkbox"/> J = 347
CLASSE ISOL. INSUL. CLASS	<input type="text" value="H(180°C)"/>	<input type="checkbox"/> B = 24 <input type="checkbox"/> K = 380	<input type="checkbox"/> B = 24 <input type="checkbox"/> K = 380
ELEV. TEMP. TEMP. RISE	<input "<="" 120°c"="" type="text" value=""/>	<input type="checkbox"/> C = 12/24 <input type="checkbox"/> L = 347/380	<input type="checkbox"/> C = 12/24 <input type="checkbox"/> L = 347/380
NIV. DE BRUIT SOUND LEVEL	<input "<="" 40="" db."="" type="text" value=""/>	<input type="checkbox"/> D = 16/32 <input type="checkbox"/> M = 416	<input type="checkbox"/> D = 16/32 <input type="checkbox"/> M = 416
		<input type="checkbox"/> E = 120 <input type="checkbox"/> N = 208/416	<input type="checkbox"/> E = 120 <input type="checkbox"/> N = 208/416
		<input type="checkbox"/> F = 208 <input type="checkbox"/> O = 480*	<input type="checkbox"/> F = 208 <input type="checkbox"/> O = 480*
		<input type="checkbox"/> G = 240 <input type="checkbox"/> P = 240/480	<input type="checkbox"/> G = 240 <input type="checkbox"/> P = 240/480
		<input type="checkbox"/> H = 120/240 <input type="checkbox"/> Q = 600*	<input type="checkbox"/> H = 120/240 <input type="checkbox"/> Q = 600*
		<input type="checkbox"/> I = 277 <input type="checkbox"/> S = _____	<input type="checkbox"/> I = 277 <input type="checkbox"/> S = _____
		<input type="checkbox"/> U = 480/600*	<input type="checkbox"/> U = 480/600*



SPÉCIFICATIONS MÉCANIQUES / MECHANICAL SPECIFICATIONS: (dimensions = pouces/Inches).

<p>SERIE/SERIES DO</p>  <p>TYPE OUVERT/OPEN TYPE BORNE À VIS / SCREW LUG</p> <p>Poids / Weight : 42.7 Kg (94.3 lbs)</p>	<p>SERIE/SERIES DL</p>  <p>TYPE OUVERT/OPEN TYPE FILS DE SORTIE 10" LEAD WIRE LENGTH</p> <p>Poids / Weight : 42.7 Kg (94.3 lbs)</p>	<p>SERIE/SERIES DC</p>  <p>VUE DE DESSOUS / BOTTOM VIEW TYPE FERMÉ / CLOSED TYPE</p> <p>Poids / Weight : 45.7 Kg (101 lbs)</p>
---	--	--

Toutes les dimensions sont approximatives. Spécifications peuvent changer sans préavis.
All dimensions and weights are approximate. Specifications may change without notice.

						NUMÉRO DE MODÈLE: MODEL NUMBER: D _ 5000 _ _		
ZONE	REV	REVISION	DESCRIPTION	DATE	APPROVAL APPROB.	Dessiné par: Drawn by: SS	DWG NO. 71CUDO/DC/DL5000	REV 04
DATE: FEBRUARY/25/08						PAGE: 1 de 1		