

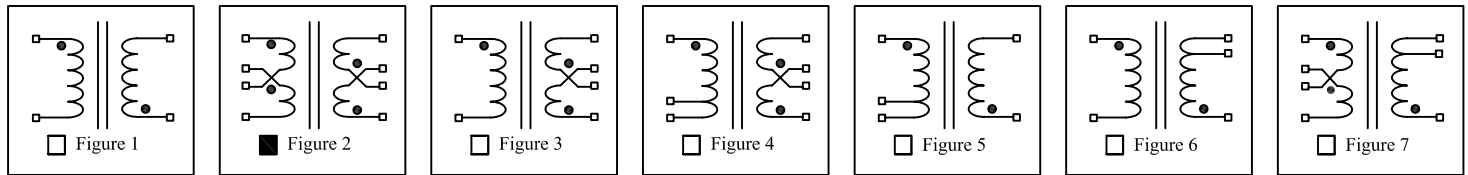


# SÉRIES DX SERIES

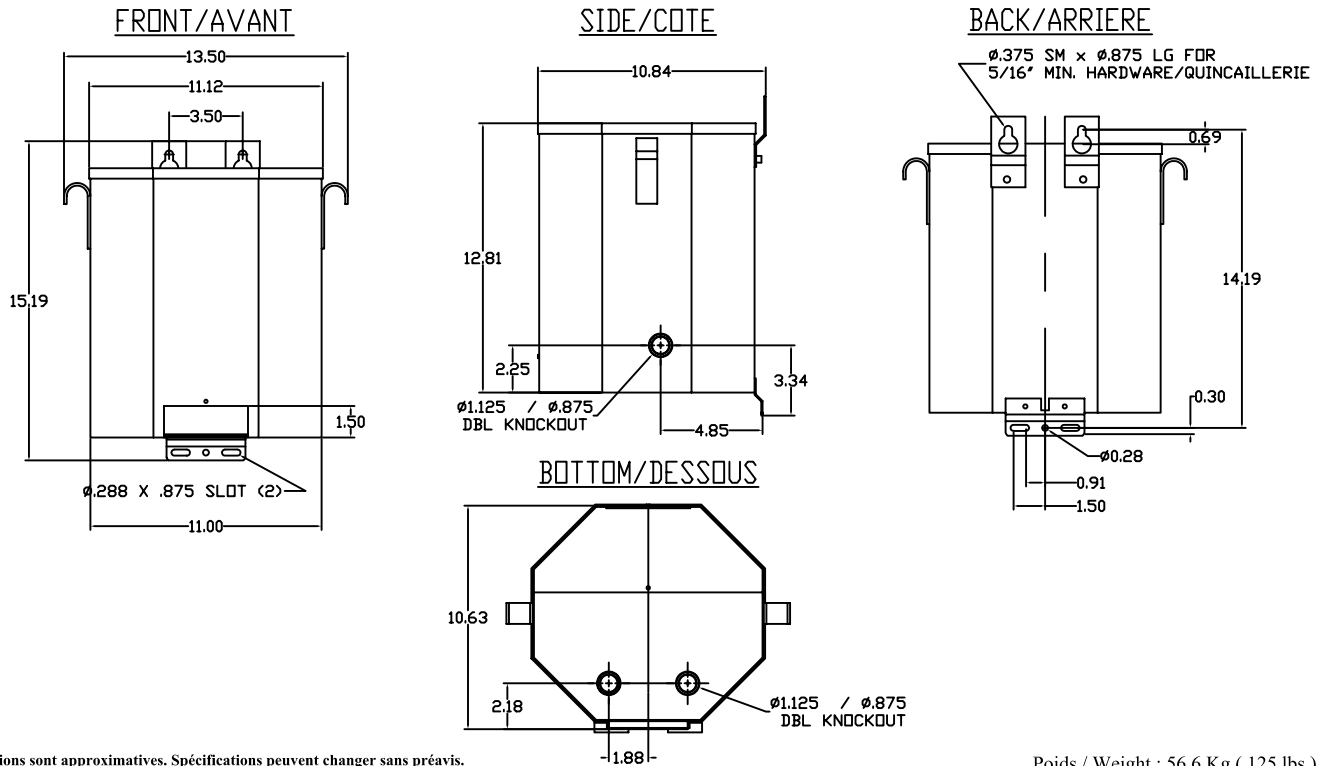
## 10000 VA, # DE PIÈCE / PART # : DX 10000PH

### SPÉCIFICATIONS ÉLECTRIQUES / ELECTRICAL SPECIFICATIONS

PHASE:	<input type="text" value="1"/>	TENSION / Y / PRIMARY PRIMAIRE VOLTAGE	<input type="checkbox"/> A = 12	<input type="checkbox"/> J = 347	TENSION / Z / SECONDARY SEC. VOLTAGE	<input type="checkbox"/> A = 12	<input type="checkbox"/> J = 347
FREQ.:	<input type="text" value="60 Hz."/>		<input type="checkbox"/> B = 24	<input type="checkbox"/> K = 380		<input type="checkbox"/> B = 24	<input type="checkbox"/> K = 380
CLASSE ISOL. INSUL. CLASS	<input type="text" value="H(180°C)"/>		<input type="checkbox"/> C = 12/24	<input type="checkbox"/> L = 347/380		<input type="checkbox"/> C = 12/24	<input type="checkbox"/> L = 347/380
ELEV. TEMP. TEMP. RISE	<input type="text" value="&lt; 120°C"/>		<input type="checkbox"/> D = 16/32	<input type="checkbox"/> M = 416		<input type="checkbox"/> D = 16/32	<input type="checkbox"/> M = 416
NIV. DE BRUIT SOUND LEVEL	<input type="text" value="&lt; 40 dB."/>		<input type="checkbox"/> E = 120	<input type="checkbox"/> N = 208/416		<input type="checkbox"/> E = 120	<input type="checkbox"/> N = 208/416
			<input type="checkbox"/> F = 208	<input type="checkbox"/> O = 480*		<input type="checkbox"/> F = 208	<input type="checkbox"/> O = 480*
			<input type="checkbox"/> G = 240	<input checked="" type="checkbox"/> P = 240/480		<input type="checkbox"/> G = 240	<input type="checkbox"/> P = 240/480
			<input type="checkbox"/> H = 120/240	<input type="checkbox"/> Q = 600*		<input checked="" type="checkbox"/> H = 120/240	<input type="checkbox"/> Q = 600*
			<input type="checkbox"/> I = 277	<input type="checkbox"/> S = _____		<input type="checkbox"/> I = 277	<input type="checkbox"/> S = _____
			<input type="checkbox"/> U = 480/600*			<input type="checkbox"/> U = 480/600*	



### SPÉCIFICATIONS MÉCANIQUES / MECHANICAL SPECIFICATIONS: ( dimensions = pouces/Inches).



Toutes les dimensions sont approximatives. Spécifications peuvent changer sans préavis.  
All dimensions and weights are approximate. Specifications may change without notice.

Poids / Weight : 56.6 Kg ( 125 lbs )



NUMÉRO DE MODÈLE:  
MODEL NUMBER:  
**DX 10000PH**

ZONE	REV	REVISION	DESCRIPTION	DATE	APPROVAL APPROB.	Dessiné par: Drawn by: SS	DWG NO. 71CUDX10000PH	REV 02
DATE: APRIL 23th 2009							PAGE: 1 de 1	