

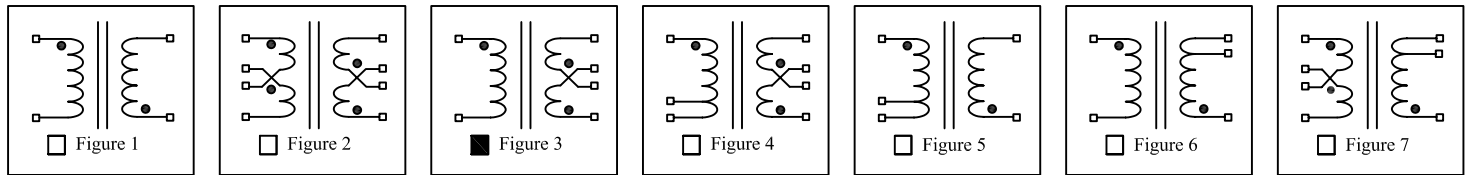


SÉRIES DX SERIES

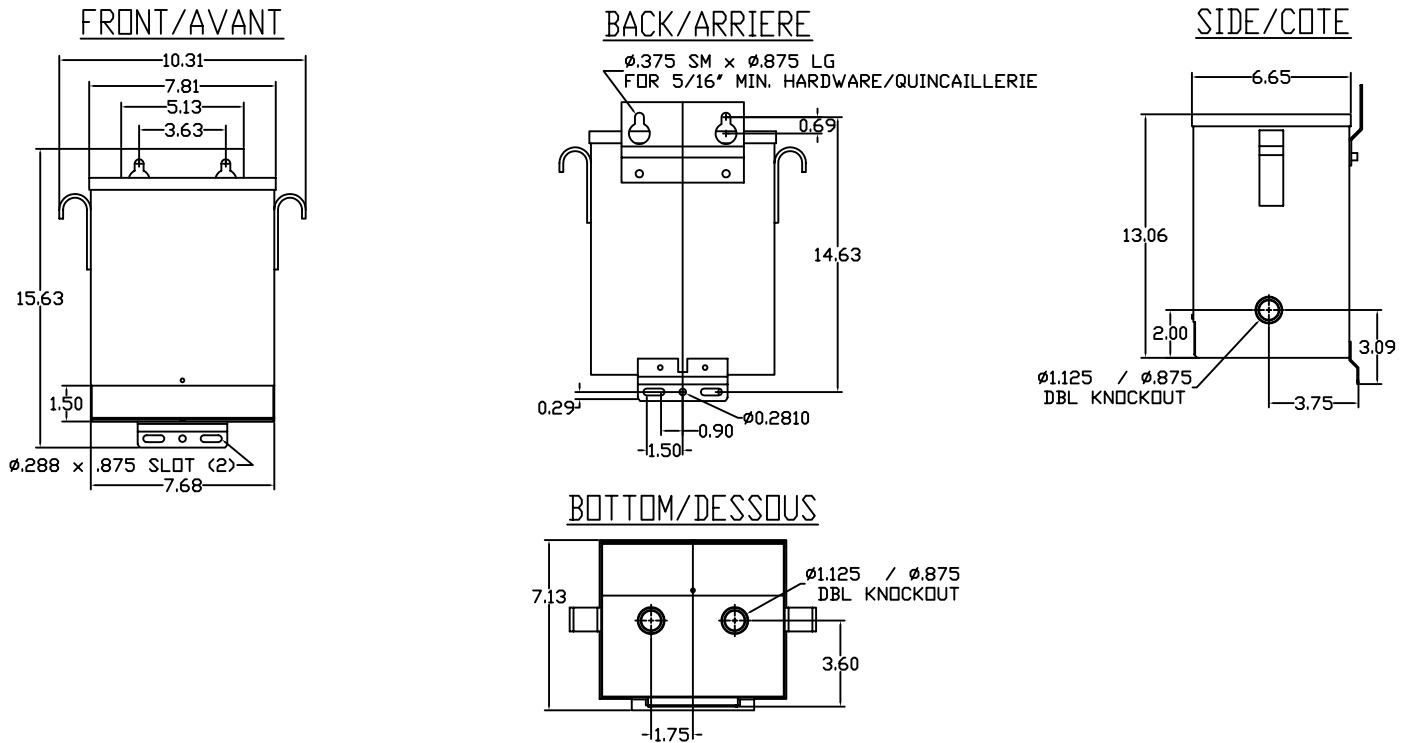
5000 VA, # DE PIÈCE / PART # : DX 5000QH

SPÉCIFICATIONS ÉLECTRIQUES / ELECTRICAL SPECIFICATIONS

PHASE:	<input type="text" value="1"/>	TENSION / Y / PRIMARY PRIMAIRE VOLTAGE	TENSION / Z / SECONDARY SEC. VOLTAGE
FREQ.:	<input type="text" value="60 Hz."/>	<input type="checkbox"/> A = 12 <input type="checkbox"/> J = 347	<input type="checkbox"/> A = 12 <input type="checkbox"/> J = 347
CLASSE ISOL. INSUL. CLASS	<input type="text" value="H(180°C)"/>	<input type="checkbox"/> B = 24 <input type="checkbox"/> K = 380	<input type="checkbox"/> B = 24 <input type="checkbox"/> K = 380
ELEV. TEMP. TEMP. RISE	<input type="text" value="< 115°C"/>	<input type="checkbox"/> C = 12/24 <input type="checkbox"/> L = 347/380	<input type="checkbox"/> C = 12/24 <input type="checkbox"/> L = 347/380
NIV. DE BRUIT SOUND LEVEL	<input type="text" value="< 40 dB."/>	<input type="checkbox"/> D = 16/32 <input type="checkbox"/> M = 416	<input type="checkbox"/> D = 16/32 <input type="checkbox"/> M = 416
		<input type="checkbox"/> E = 120 <input type="checkbox"/> N = 208/416	<input type="checkbox"/> E = 120 <input type="checkbox"/> N = 208/416
		<input type="checkbox"/> F = 208 <input type="checkbox"/> O = 480*	<input type="checkbox"/> F = 208 <input type="checkbox"/> O = 480*
		<input type="checkbox"/> G = 240 <input type="checkbox"/> P = 240/480	<input type="checkbox"/> G = 240 <input type="checkbox"/> P = 240/480
		<input type="checkbox"/> H = 120/240 <input checked="" type="checkbox"/> Q = 600*	<input checked="" type="checkbox"/> H = 120/240 <input type="checkbox"/> Q = 600*
		<input type="checkbox"/> I = 277 <input type="checkbox"/> S = _____	<input type="checkbox"/> I = 277 <input type="checkbox"/> S = _____
		<input type="checkbox"/> U = 480/600*	<input type="checkbox"/> U = 480/600*



SPÉCIFICATIONS MÉCANIQUES / MECHANICAL SPECIFICATIONS: (dimensions = pouces/Inches).



Toutes les dimensions sont approximatives. Spécifications peuvent changer sans préavis.
 All dimensions and weights are approximate. Specifications may change without notice.

Poids / Weight : 33.9 Kg (75 lbs)



NUMÉRO DE MODÈLE:
 MODEL NUMBER:
DX 5000QH

ZONE	REV	REVISION	DESCRIPTION	DATE	APPROVAL APPROB.	Dessiné par: Drawn by: SS	DWG NO. 71CUDX5000QH	REV 02
DATE: APRIL 23th 2009						PAGE: 1 de 1		