

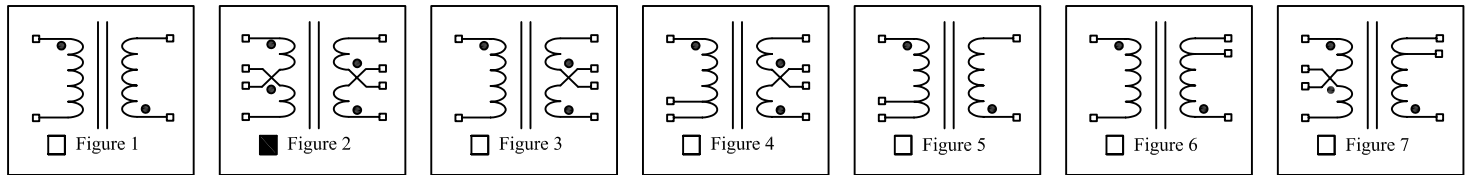


SÉRIES DX SERIES

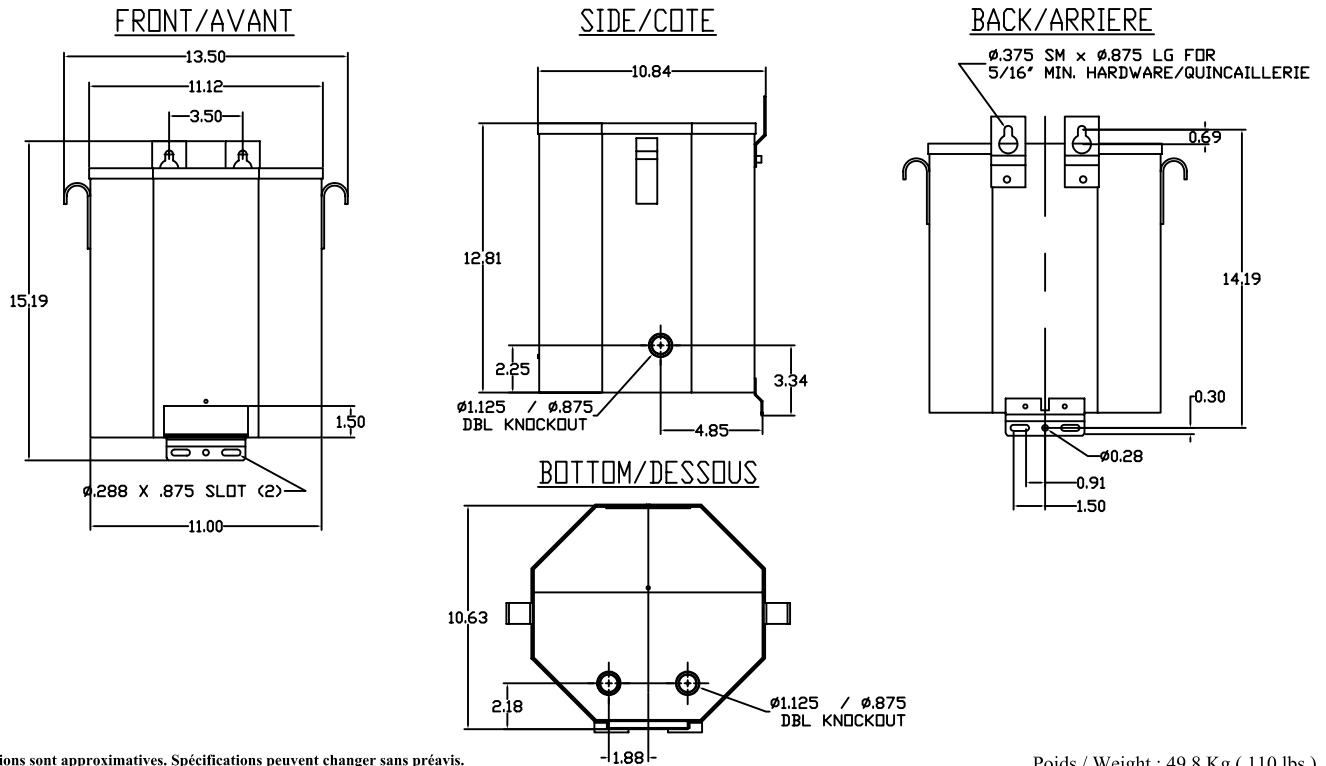
7500 VA, # DE PIÈCE / PART # : DX 7500PH

SPÉCIFICATIONS ÉLECTRIQUES / ELECTRICAL SPECIFICATIONS

PHASE:	<input type="text" value="1"/>	TENSION / Y / PRIMARY PRIMAIRE VOLTAGE	<input type="checkbox"/> A = 12	<input type="checkbox"/> J = 347	TENSION / Z / SECONDARY SEC. VOLTAGE	<input type="checkbox"/> A = 12	<input type="checkbox"/> J = 347
FREQ.:	<input type="text" value="60 Hz."/>	<input type="checkbox"/> B = 24	<input type="checkbox"/> K = 380	<input type="checkbox"/> B = 24	<input type="checkbox"/> K = 380	<input type="checkbox"/> B = 24	<input type="checkbox"/> K = 380
CLASSE ISOL. INSUL. CLASS	<input type="text" value="H(180°C)"/>	<input type="checkbox"/> C = 12/24	<input type="checkbox"/> L = 347/380	<input type="checkbox"/> C = 12/24	<input type="checkbox"/> L = 347/380	<input type="checkbox"/> C = 12/24	<input type="checkbox"/> L = 347/380
ELEV. TEMP. TEMP. RISE	<input 120°c")"="" type="text" value("<=""/>	<input type="checkbox"/> D = 16/32	<input type="checkbox"/> M = 416	<input type="checkbox"/> D = 16/32	<input type="checkbox"/> M = 416	<input type="checkbox"/> D = 16/32	<input type="checkbox"/> M = 416
NIV. DE BRUIT SOUND LEVEL	<input 40="" db."="" type="text" value("<=""/>	<input type="checkbox"/> E = 120	<input type="checkbox"/> N = 208/416	<input type="checkbox"/> E = 120	<input type="checkbox"/> N = 208/416	<input type="checkbox"/> E = 120	<input type="checkbox"/> N = 208/416
		<input type="checkbox"/> F = 208	<input type="checkbox"/> O = 480*	<input type="checkbox"/> F = 208	<input type="checkbox"/> O = 480*	<input type="checkbox"/> F = 208	<input type="checkbox"/> O = 480*
		<input type="checkbox"/> G = 240	<input checked="" type="checkbox"/> P = 240/480	<input type="checkbox"/> G = 240	<input type="checkbox"/> P = 240/480	<input checked="" type="checkbox"/> H = 120/240	<input type="checkbox"/> Q = 600*
		<input type="checkbox"/> H = 120/240	<input type="checkbox"/> S = _____	<input checked="" type="checkbox"/> H = 120/240	<input type="checkbox"/> S = _____	<input type="checkbox"/> I = 277	<input type="checkbox"/> S = _____
		<input type="checkbox"/> I = 277		<input type="checkbox"/> I = 277		<input type="checkbox"/> U = 480/600*	
		<input type="checkbox"/> U = 480/600*		<input type="checkbox"/> U = 480/600*			



SPÉCIFICATIONS MÉCANIQUES / MECHANICAL SPECIFICATIONS: (dimensions = pouces/Inches).



Toutes les dimensions sont approximatives. Spécifications peuvent changer sans préavis.
All dimensions and weights are approximate. Specifications may change without notice.

Poids / Weight : 49.8 Kg (110 lbs)



NUMÉRO DE MODÈLE:
MODEL NUMBER:
DX 7500PH

ZONE	REV	REVISION	DESCRIPTION	DATE	APPROVAL APPROB.	Dessiné par: Drawn by: SS	DWG NO. 71CUDX7500PH	REV 02
DATE: APRIL 23th 2009							PAGE: 1 de 1	