

SÉRIES EXA SERIES

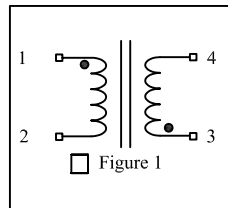
200 VA, # DE PIÈCE / PART # : EXA0200XX

SPÉCIFICATIONS ÉLECTRIQUES / ELECTRICAL SPECIFICATIONS

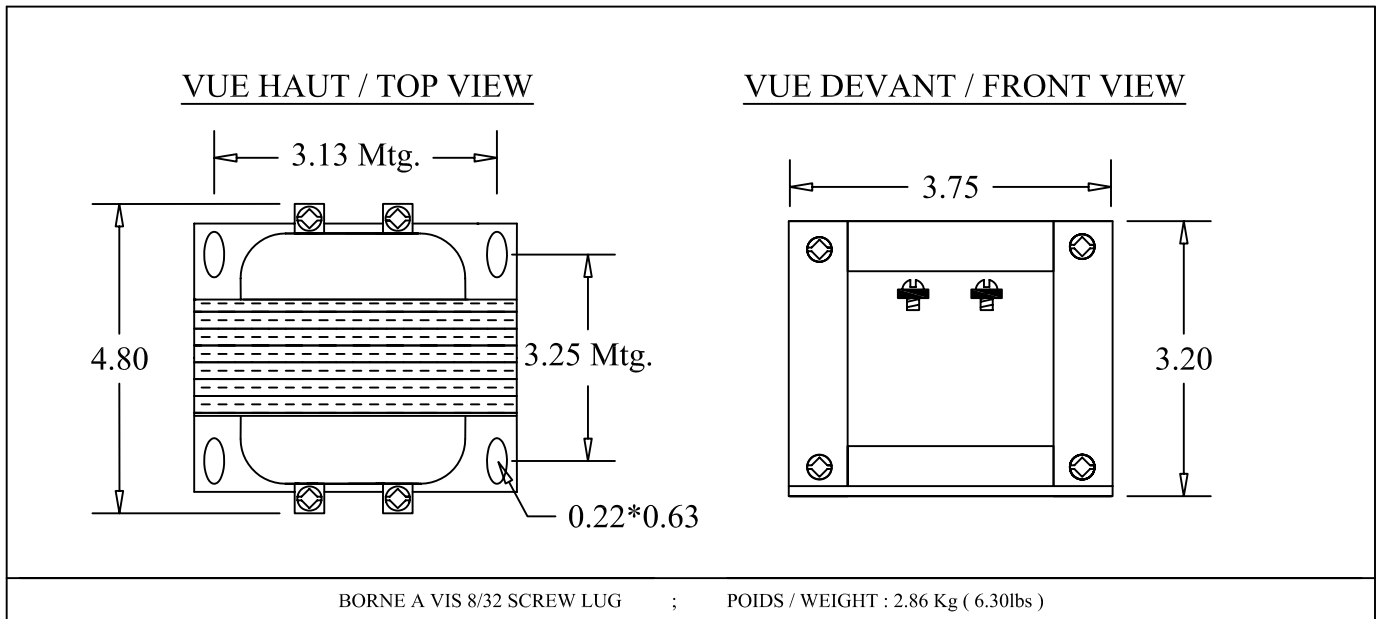
| | |
|------------------------------|---|
| PHASE: | <input type="text" value="1"/> |
| FREQ.: | <input type="text" value="60 Hz."/> |
| CLASSE ISOL. INSUL. CLASS | <input type="text" value="B(130°C)"/> |
| ELEV. TEMP. TEMP. RISE | <input 80°c")"="" type="text" value("<=""/> |
| NIV. DE BRUIT SOUND LEVEL | <input 40="" db."="" type="text" value("<=""/> |

| XX | PRI. VOLT. | SEC. VOLT. |
|-----------------------------|---------------|---------------|
| <input type="checkbox"/> 19 | 120 | 12 |
| <input type="checkbox"/> 20 | 120 | 24 |
| <input type="checkbox"/> 21 | 120 | 120 |
| <input type="checkbox"/> 22 | 208 | 24 |
| <input type="checkbox"/> 23 | 208 | 120 |
| <input type="checkbox"/> 24 | 240 | 24 |
| <input type="checkbox"/> 25 | 240 | 120 |
| <input type="checkbox"/> 26 | 277 | 24 |
| <input type="checkbox"/> 27 | 277 | 120 |
| <input type="checkbox"/> 28 | 277 | 240 |
| <input type="checkbox"/> 29 | 347 | 24 |

| XX | PRI. VOLT. | SEC. VOLT. |
|-----------------------------|---------------|---------------|
| <input type="checkbox"/> 30 | 347 | 120 |
| <input type="checkbox"/> 31 | 347 | 240 |
| <input type="checkbox"/> 32 | 416 | 24 |
| <input type="checkbox"/> 33 | 416 | 120 |
| <input type="checkbox"/> 34 | 416 | 240 |
| <input type="checkbox"/> 35 | 480 | 24 |
| <input type="checkbox"/> 36 | 480 | 120 |
| <input type="checkbox"/> 37 | 480 | 240 |
| <input type="checkbox"/> 38 | 600 | 24 |
| <input type="checkbox"/> 39 | 600 | 120 |
| <input type="checkbox"/> 40 | 600 | 240 |



SPÉCIFICATIONS MÉCANIQUES / MECHANICAL SPECIFICATIONS: (dimensions = pouces/Inches).



Toutes les dimensions sont approximatives. Spécifications peuvent changer sans préavis.
All dimensions and weights are approximate. Specifications may change without notice.

TRANSFAB **TMS**
magnetic solutions

NUMÉRO DE MODÈLE:
MODEL NUMBER:
EXA0200 _ _

| ZONE | REV | REVISION | DESCRIPTION | DATE | APPROVAL APPROB. | Dessiné par: Drawn by: | SS | DWG NO. 71CUEXA0200B0 | REV 04 |
|---------------------|-----|----------|-------------|------|---------------------|---------------------------|----|--------------------------|-----------|
| DATE: JANUARY/30/08 | | | | | | | | PAGE: 1 de 1 | |