



Tel: (450) 449-0412 ; 1-866-540-0412 Fax: (450)449-9115 ; 1-866-499-9115



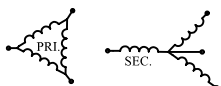

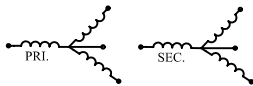
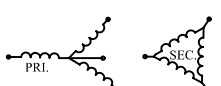
LR65566

E153598 E153598

SÉRIE 30/3L SERIES

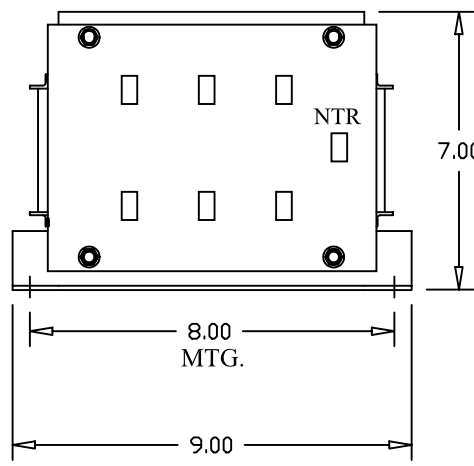
3000 VA, # DE PIÈCE / PART # : 3VW 3000 YZ

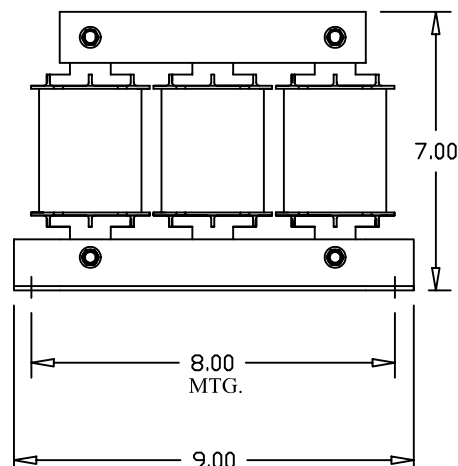
SPÉCIFICATIONS ÉLECTRIQUES / ELECTRICAL SPECIFICATIONS

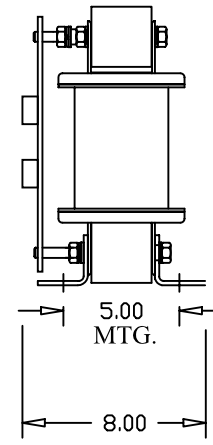
<p>BOBINAGE/WINDING</p> <p>DELTA-ETOILE WYE</p>  <p>DELTA-DELTA</p>  <p>ETOILE-ETOILE WYE WYE</p>  <p>ETOILE-DELTA WYE</p> 	<table style="width: 100%;"> <tr> <td style="width: 30%;">PHASE:</td> <td style="width: 20%; border: 1px solid black; text-align: center;">3</td> <td style="width: 30%;">ELEV. TEMP.</td> <td style="width: 20%; border: 1px solid black; text-align: center;">< 120°C</td> </tr> <tr> <td>FREQ.:</td> <td style="border: 1px solid black; text-align: center;">50/60 Hz.</td> <td>TEMP. RISE</td> <td></td> </tr> <tr> <td>CLASSE ISOL.</td> <td></td> <td>NIV. DE BRUIT</td> <td></td> </tr> <tr> <td>INSUL. CLASS</td> <td style="border: 1px solid black; text-align: center;">H(180°C)</td> <td>SOUND LEVEL</td> <td style="border: 1px solid black; text-align: center;">< 40 dB.</td> </tr> </table>	PHASE:	3	ELEV. TEMP.	< 120°C	FREQ.:	50/60 Hz.	TEMP. RISE		CLASSE ISOL.		NIV. DE BRUIT		INSUL. CLASS	H(180°C)	SOUND LEVEL	< 40 dB.
PHASE:	3	ELEV. TEMP.	< 120°C														
FREQ.:	50/60 Hz.	TEMP. RISE															
CLASSE ISOL.		NIV. DE BRUIT															
INSUL. CLASS	H(180°C)	SOUND LEVEL	< 40 dB.														
<p style="text-align: center;">CONSTRUCTION</p> <p>V : O TYPE OUVERT/OPEN TYPE BORNE À VIS/SCREW TERMINAL</p> <p>L TYPE OUVERT/OPEN TYPE FILS DE SORTIE 10" LEAD OUT</p> <p style="text-align: center;">BOBINAGE/WINDING ISOLATION</p> <p>W : A AUTOTRANSFORMATEUR AUTOTRANSFORMER</p> <p>N/A ISOLÉ/ISOLATED</p>		<p style="text-align: center;">TENSION PRIMAIRE, SECONDAIRE PRIMARY, SECONDARY VOLTAGE (DELTA)</p> <p>Y-Z : A 12 F 208 J 347 O 480 B 24 G 240 K 380 Q 600 E 120 I 277 M 416 S SPEC. OU/OR ETOILE/WYE = S</p>															

SPÉCIFICATIONS MÉCANIQUES / MECHANICAL SPECIFICATIONS: (dimensions = pouces/inches).

SERIE/SERIES 3PH








POIDS / WEIGHT : 21.67 Kg (47.73lbs)

Toutes les dimensions sont approximatives. Spécifications peuvent changer sans préavis. All dimensions and weights are approximate. Specifications may change without notice.

							NUMÉRO DE MODÈLE: MODEL NUMBER: 3__3000__	
ZONE	REV	REVISION	DESCRIPTION	DATE	APPROVAL APPROB.	Dessiné par: Drawn by: SS	DWG NO. 71CU3PH3000F0	REV 00
DATE: SEPTEMBER/06/04						PAGE: 1 de 1		