

TMW GROUPE "A" GROUP

SPÉCIFICATIONS ÉLECTRIQUES / ELECTRICAL SPECIFICATIONS

IEC558

* 50VA@100VA	*A(105°C)
** 150VA@750VA	**B(130°C)
*** 1000VA@5000VA	***H(180°C)
CLASSE ISOL. INSUL. CLASS	
ELEV. TEMP. TEMP. RISE	* < 55°C
	** < 80°C
	*** < 120°C

PHASE	1	PRIM. VOLT	220/440
			230/460
FREQ.	50/60 Hz.		240/480
		SEC. VOLT	110
NIV. DE BRUIT SOUND LEVEL	< 40 dB.		115
			120

MODELE/MODEL	VA	A	B	C	D	E	LBS	KG
TMW00502001XX	50	3.38	3.00	3.00	2.44	2.50	3.40	1.54
TMW01002003XX	100	3.38	3.75	3.50	2.44	3.13	5.90	2.68
TMW01502004XX	150	3.75	4.50	4.00	2.44	3.75	8.50	3.86
TMW02002005XX	200	3.75	4.50	4.00	2.81	3.75	10.0	4.54
TMW02502006XX	250	4.00	4.50	4.00	3.19	3.75	11.0	4.99
TMW03502008XX	350	4.88	5.25	4.50	3.38	4.38	15.0	6.80
TMW05002009XX	500	5.13	5.25	4.50	4.38	4.38	20.0	9.07
TMW07502010XX	750	7.00	5.25	4.50	5.88	4.38	29.8	13.5
TMW10002008XX	1000	6.63	6.38	5.50	3.75	5.31	35.0	15.9
TMW15002009XX	1500	7.31	6.75	6.00	5.00	6.13	40.0	18.1
TMW20002010XX	2000	8.13	6.75	6.00	5.25	6.13	45.0	20.4
TMW30002011XX	3000	8.06	9.00	8.00	5.25	7.50	65.2	29.6
TMW50002012XX	5000	10.0	9.00	8.00	7.19	7.50	105	47.7

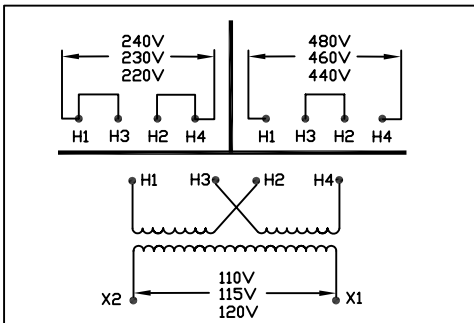
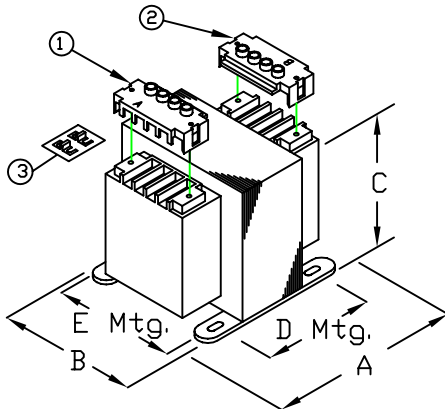


DIAGRAMME DE CONNEXION/
CONNECTION DIAGRAM

3	RACCORDS / JUMPERS J2
2	COUVERT / COVER "B"
1	COUVERT / COVER "A"



Dimensions = Pouces/Inches.

TRANSFORMERS 500VA AND LARGER : 6 TERMINALS
TRANSFORMATEURS 500VA ET PLUS : 6 TERMINAUX

50 - 500VA : 0.203*0.462 / 750 - 1500VA : 0.313*0.700 / 2000 - 5000 : 0.430*0.900 (TROUS DE MONTAGE / MOUNTING SLOTS)

Toutes les dimensions sont approximatives. Spécifications peuvent changer sans préavis. All dimensions and weights are approximate. Specifications may change without notice.

TRANSFAB **TMS**
magnetic solutions

NUMÉRO DE MODÈLE:
MODEL NUMBER:

ZONE	REV	REVISION	DESCRIPTION	DATE	APPROVAL APPROB.	Dessiné par: Drawn by: SS	DWG NO. TMW-A	REV 00
------	-----	----------	-------------	------	---------------------	------------------------------	---------------	-----------

DATE: FEBRUARY 03/09

PAGE: 1 de 1