

TMW GROUPE "I" GROUP

SPÉCIFICATIONS ÉLECTRIQUES / ELECTRICAL SPECIFICATIONS

IEC558

* 250VA@750VA	
** 1000VA@5000VA	
CLASSE ISOL.	*B(130°C)
INSUL. CLASS	**H(180°C)
ELEV. TEMP.	* < 80°C
TEMP. RISE	** < 120°C

PHASE	1	PRIM. VOLT	208/230/400/ 460/575
FREQ.	50/60 Hz.	SEC. VOLT	24*/115/230
NIV. DE BRUIT SOUND LEVEL	< 40 dB.	*24V DISPONIBLE JUSQU'A 1KVA / 24V AVAILABLE THROUGH 1KVA	

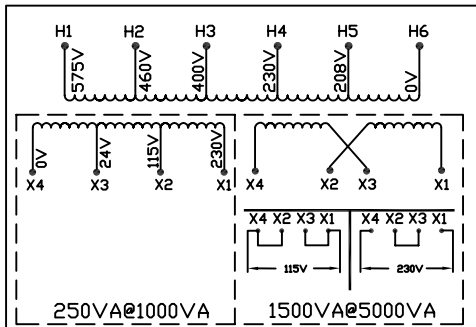
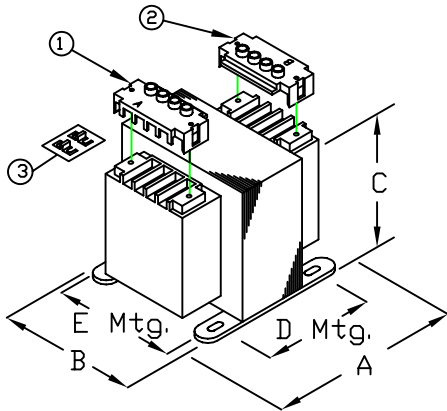


DIAGRAMME DE CONNEXION/
CONNECTION DIAGRAM

3	RACCORDS / JUMPERS J2
2	COUVERT / COVER "B"
1	COUVERT / COVER "A"



Dimensions = Pouces/Inches.

MODELE/MODEL	VA	A	B	C	D	E	LBS	KG
TMW02502263XX	250	4.75	4.50	4.00	4.75	3.75	14.9	6.76
TMW03502265XX	350	5.38	5.25	4.50	4.38	4.38	17.8	8.07
TMW05002266XX	500	5.63	5.25	4.50	5.88	4.38	26.6	12.1
TMW07502267XX	750	7.44	6.38	6.00	5.06	5.31	32.5	14.7
TMW10002268XX	1000	7.75	6.75	6.25	5.00	6.13	44.0	20.0
TMW15002269XX	1500	7.75	6.75	6.00	5.00	6.13	45.4	20.6
TMW20002270XX	2000	7.63	9.00	7.63	4.81	7.50	58.6	26.6
TMW30002271XX	3000	8.75	9.00	7.63	5.94	7.50	92.9	42.1
TMW50002272XX	5000	10.5	9.00	7.63	7.63	7.50	128	58.1

250 - 500VA : 0.203*0.462 / 750 - 1500VA : 0.313*0.700 / 2000 - 5000 : 0.430*0.900 (TROUS DE MONTAGE / MOUNTING SLOTS)

Toutes les dimensions sont approximatives. Spécifications peuvent changer sans préavis. All dimensions and weights are approximate. Specifications may change without notice.

TRANSFAB **TMS**
magnetic solutions

NUMÉRO DE MODÈLE:
MODEL NUMBER:

ZONE	REV	REVISION	DESCRIPTION	DATE	APPROVAL APPROB.	Dessiné par: Drawn by: SS	DWG NO. TMW-I	REV 00
------	-----	----------	-------------	------	---------------------	------------------------------	---------------	-----------

DATE: FEBRUARY 03/09

PAGE: 1 de 1